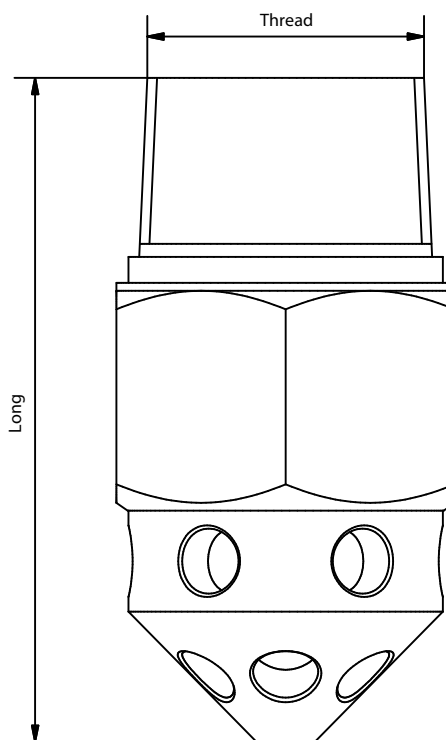
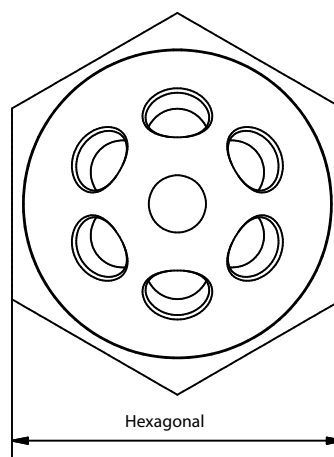
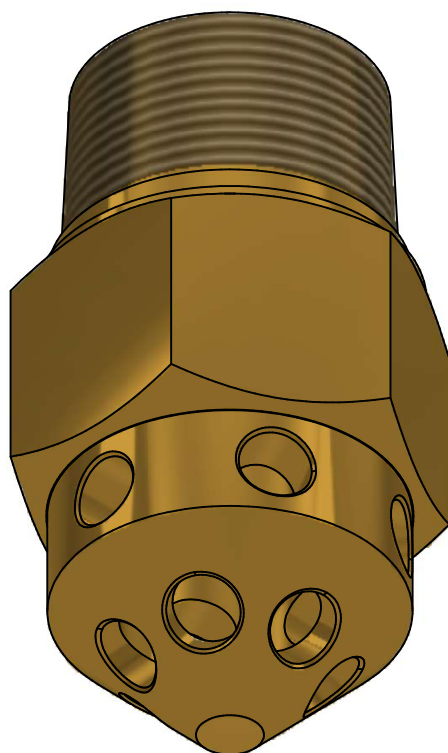





RADIAL DIFFUSER CALIBRATED

AEX/IGDxC

Reference	Thread	Hexagonal	Long	Weight	Calibration range
AEX/IGD12C	Male BSP R 1/2"	22 mm	48 mm	87 g	3 - 9.5 mm
AEX/IGD34C	Male BSP R 3/4"	27 mm	59 mm	160 g	7 - 13.5 mm
AEX/IGD1C	Male BSP R 1"	36 mm	75 mm	330 g	10 - 17.5 mm
AEX/IGD112C	Male BSP R 1 1/2"	52 mm	104 mm	950 g	15 - 25.5 mm



Specifications	
Material housing	Brass
Material calibration plate	Brass
Covering	9m x 9m x 5m

	Av. Alfonso Peña Boeuf, 6 y 9 28022 MADRID - ESPAÑA TEL: +34 913121656 FAX: +34 913295820		DATA SHEET RADIAL DIFFUSER CALIBRATED					
	Description: Component that makes it possible to obtain a predetermined flow rate and a characteristic of uniform distribution of the extinguishing agent within or on the protected hazard.							
Code data sheet:	Group data sheet:	Reference:	Drawn:	Date:	Revised:	Date:	Review:	Format:
AEX-FTC-09-067	IG-55	SEE TABLE	DCM	18/02/2021	MRC	18/02/2021	1	A4